



DOOR TECHNOLOGY



GLASS SYSTEMS



AUTOMATIC DOOR SYSTEMS



SMOKE & HEAT EXTRACTION  
AND WINDOW TECHNOLOGY



SAFETY TECHNOLOGY

# Technical Submittal

Client :

Date :

Rev :

## GEZE Arrone Ball Bearing hinge



**Art No: 98011001**

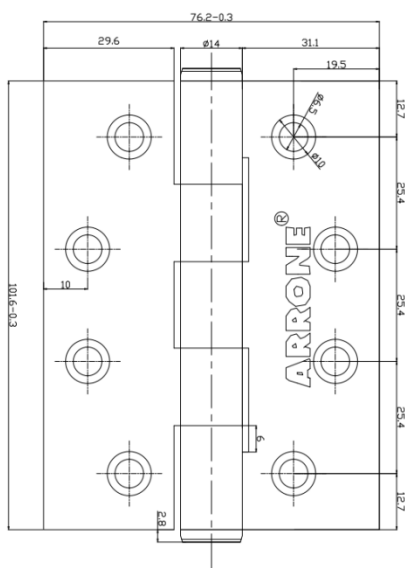
Five knuckles two ball bearing flat button butt hinge with wooden screws.

Size :102mm x 76mm x 3mm

Finish : Satin Stainless steel.

### Standards and Certification :

Successfully type tested to all the requirements of BS EN 1935 Grade 13.



Unlike fire hardware which has to be tested only for fire test as per BS 476: Part 22, our hardware have been tested and certified in accordance with BSEN standards. As per the standard, BS EN 1935, our hinge has been subjected to the following tests,

- 1) Safety Test
- 2) Durability Test
- 3) Fire Test
- 4) Corrosion Test

During the test hinge has been subjected to 120kg and meet the standards requirements of 200,000cycles , fire tested for BSEN1634 Part1 :2000 and corrosion test done for EN1670.

Besides, hinge has been CE marked which ensures the building owner that the products is safety in use for years. 60min fire rated

## GEZE Arrone Ball Bearing hinge



**Art No: 98011008**

Five knuckles two ball bearing flat button butt hinge with machine screws.

Size :102mm x 76mm x 3mm

Finish : Satin Stainless steel.

### Standards and Certification :

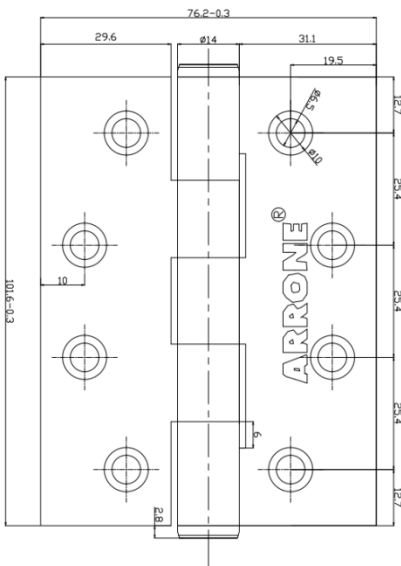
Successfully type tested to all the requirements of BS EN 1935 Grade 13.

Unlike fire hardware which has to be tested only for fire test as per BS 476: Part 22, our hardware have been tested and certified in accordance with BSEN standards. As per the standard, BS EN 1935, our hinge has been subjected to the following tests,

- 1) Safety Test
- 2) Durability Test
- 3) Fire Test
- 4) Corrosion Test

During the test hinge has been subjected to 120kg and meet the standards requirements of 200,000cycles , fire tested for BSEN1634 Part1 :2000 and corrosion test done for EN1670.

Besides, hinge has been CE marked which ensures the building owner that the products is safety in use for years. 60min fire rated



## GEZE Flush Hinge



**Art No : 98302063**

GEZE flush hinge, size : 5"x3"x3mm offset type with square edge including Flat tip, fix pin, with wooden screws . Suitable for Door thickness 45-55mm.

Material – SS304

Finish – Satin

The size of hinge can be considered to use with a door of size ( 60Kg) along with door closer, using at least 4 hinges ( maximum of 2400mm height x 1000mm door width) and not on the heavy doors.

## GEZE Lever handle

### Lever handle set ID no : 98482004



GEZE Ø19mm Lever handle sprung loaded on with Ø53x10(H)x0.8(T)mm rose, steel base in T1.2mm. Supplied with bolt through fixing & decorative ring. Suitable for 40 to 50mm door thickness, Grub screw fixing onto 8mm x 110mm spindle.



Longer spindle available for thicker door. Packed with 4pcs 8#x20mm wooden screw. ESCUTCHEON INCLUDED

Size: Ø19 x 135mm length x 65mm projection from door surface

Material : Stainless steel 304

Finish: Satin

## GEZE Lever handle

### Lever handle set ID no : 98484019



GEZE Ø19mm Lever handle sprung loaded on with Ø53x10(H)x0.8(T)mm rose, steel base in T1.2mm. Supplied with bolt through fixing & decorative ring. Suitable for 40 to 50mm door thickness, Grub screw fixing onto 8mm x 110mm spindle.



Longer spindle available for thicker door. Packed with 4pcs 8#x20mm wooden screw. ESCUTCHEON INCLUDED

Size: Ø19 x 135mm length x 65mm projection from door surface

Material : Stainless steel 304

Finish: Satin

## GEZE Lever handle with rose



### Narrow stile Lever Handle

**Art No: 98302010**

GEZE GEZE, 19mm dia Lever handle sprung loaded on with narrow rose and narrow escutcheon. Supplied with both wood screws and bolt through fixing. Grub screw fixing onto 8mm x 100mm spindle. longer spindle available for thicker door.

Material: Stainless Steel

Finish : Satin

Size: 130mm x 60mm projection from door surface.

## GEZE Lever handle with rose



### Narrow stile Lever Handle

**Art No: 98302008**

GEZE, 19mm dia Lever handle sprung loaded on with narrow rose and narrow escutcheon. Supplied with both wood screws and bolt through fixing. Grub screw fixing onto 8mm x 100mm spindle. longer spindle available for thicker door

## GEZE “D” type pull handle



**Art No : 98163017**

GEZE 'D' type pull handle of size:  $\varnothing 19$  x 250mm centre to centre, back to back fixing with accessories for glass/wood/metal of 50mm thick door.

Material : SS 304. Finish : Satin

**Art No : 98163135**

GEZE 'D' type pull handle of size:  $\varnothing 22$ x300mm centre to centre, back to back fixing with accessories for glass/wood/metal of 50mm thick door.

Material : SS 304. Finish : Satin

**Art No : 98163111**

GEZE 'D' type pull handle of size:  $\varnothing 22$  x 450mm centre to centre, back to back fixing with accessories for glass/wood/metal of 50mm thick door.

Material : SS 304. Finish : Satin

## GEZE “H” type pull handle



**Art No : 98163005**

GEZE 'H' type pull handle of size:  $\varnothing 25$ mm x 450mm centre to centre, Overall 550mm length back to back fixing with accessories for glass/wood/metal of 50mm thick door.

Material : SS 304. Finish : Satin

**Art No : 98163054**

GEZE 'H' type pull handle of size:  $\varnothing 25$ mm x 350mm centre to centre, Overall 450mm length back to back fixing with accessories for glass/wood/metal of 50mm thick door.

Material : SS 304. Finish : Satin

**Art No : 98163232**

GEZE 'H' type pull handle of size:  $\varnothing 25$ mm x 300mm centre to centre, Overall 400mm length back to back fixing with accessories for glass/wood/metal of 50mm thick door.

Material : SS 304. Finish : Satin

## GEZE offset type pull handle



**Art No : 98163072**

GEZE offset type pull handle of size: Ø25mm x 300mm centre to centre, back to back fixing with accessories for glass/wood/metal of 50mm thick door.

Material : SS 304. Finish : Satin

**Art No : 98163151**

GEZE offset type pull handle of size: Ø25mm x 600mm centre to centre, back to back fixing with accessories for glass/wood/metal of 50mm thick door.

Material : SS 304. Finish : Satin



## GEZE Mortise Sash Lock



## GEZE Mortise Sash Lock

**Art No: 98484001 - (for wooden doors)**

**Art No: 98484011 - (for steel doors)**

### Features:

- Case – mild steel powder coated finish, pierced to accept bolt through furniture and escutcheons
- Backset – 55mm, distance – 72mm
- Latch bolt – 12mm projection, easily reversible without opening case in SSS
- Follower – 8mm follower with spindle gripping feature
- Deadbolt – Double throw with 20mm projection
- Forend - 20x235mm with square corners & striking plates available square or radius
- Suitable for sprung and most un sprung lever furniture
- Finish - Stainless Steel#304, satin finish

## GEZE Dead Lock

### GEZE Mortise dead Lock

**Art No : 98484002 (for wooden doors)**

**Art No : 98484012 (for steel doors)**



#### Features:

- Case – mild steel powder coated finish, pierced to accept bolt through furniture and escutcheons
- Backset – 55mm, distance – 72mm
- Follower – 8mm follower with spindle gripping feature
- Deadbolt – Double throw with 20mm projection
- Forend - 20x235mm with square corners & striking plates available square or radius
- Suitable for sprung and most un sprung lever furniture
- Finish - Stainless Steel#304, satin finish

#### Escutcheon Art no: 98482002

- Size Ø53 x 10(H) x 0.8(T)mm stainless steel 304 escutcheon to clip, with 38mm fixing center; with steel base in T1.2mm; whole set including 2 covers & 2 bases. Finish -Satin.

## GEZE Privacy Lock



## GEZE GP series Mortise Privacy Lock Art No: 98484003

### Features:

- Case – mild steel powder coated finish, pierced to accept bolt through furniture and escutcheons
- Backset – 55mm, distance – 78mm
- Follower – 8mm follower with spindle gripping feature
- Deadbolt – Double throw with 20mm projection
- Forend - 20x235mm with square corners & striking plates available square or radius
- Suitable for sprung and most un sprung lever furniture
- Finish - Stainless Steel#304, satin finish

## GEZE Bathroom Escutcheon



### Art No: 98482003

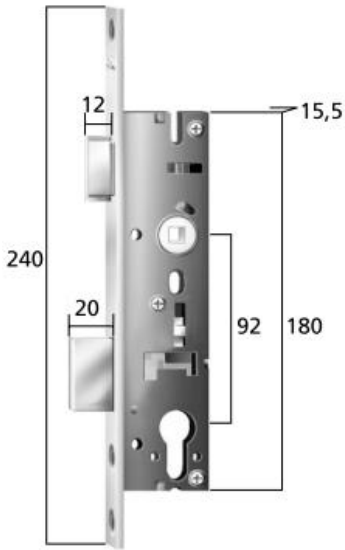
### Bathroom escutcheon

with zinc-plated steel base in T1.2mm  
8x8mm spindle, length for door thickness of 40-55mm

Size dia.53x10(H)x0.8(T)mm, supplied with  
M4x60mm bolt-through-fixing screw---2pcs

Material : Stainless steel 304  
Finish: Satin

## GEZE Narrow Stile Sash Lock (Old)



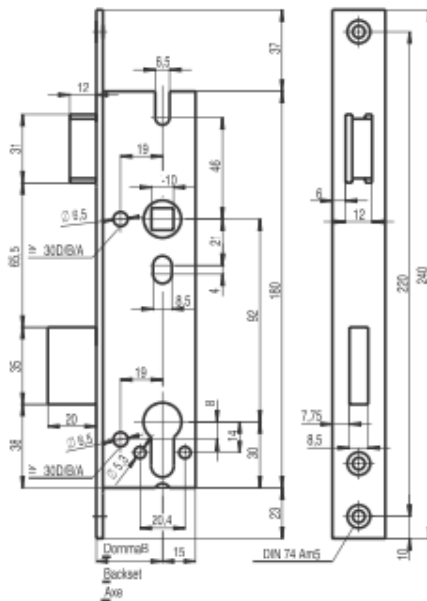
**Narrow Stile Sash Lock case 35mm backset**

**Art No : 98134001 - for wooden doors**

**Art No : 98134002 - for metal doors**

### Features:

Narrow stile sash lock case for profile cylinder, single throw 20mm dead bolt. Requirement to DIN EN 12209 ( Class. 3S500F4BA20), dimensions according to DIN 18251-2, Class 5, for Narrow stile doors, euro profile cylinder, with reversible latch bolt for left and right handed doors, 12mm latch bolt projection, 92 mm center distance, 8mm (7/8.5/9/10\*) follower , single throw , 20mm dead bolt projection , dead bolt with anti-saw protection, squared forend 24x 3mm.



### Standards and Certification:

Successfully type tested to all the requirements of DIN EN 12209 (Class. 3S500F4BA20).

## GEZE Narrow Stile Sash Lock

**Narrow Stile Sash Lock case 35mm backset**

**Art No : 9168483**

### Features:

M8mm heavy duty spring assisted square stainless steel follower on steel bush  
 SS304 square forend size: 24 x 255 x 3 mm thick

12mm throw SS304 latch bolt

20mm double throw SS304 dead bolt

Center to Center is 92mm

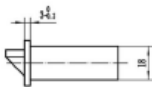
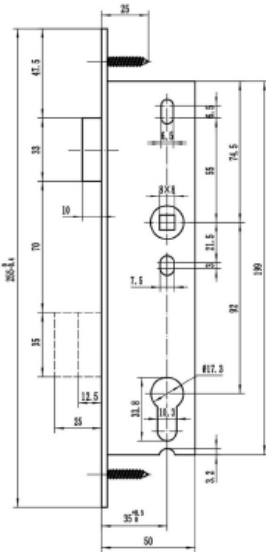
Backset 30mm and 35mm

metal and wooden door application

For application with standard European profile cylinder and lever handle with 8x8 mm square spindle

With strike plate

Outside reversible latch; screwdriver needed



### Standards and Certification:

Successfully type tested to all the requirements of DIN EN 12209 (Class. 3S500F4BA20).

**Art No: 98162006**

GEZE, Narrow stile escutcheon for euro profile cylinder

Size: H60 x W34mm

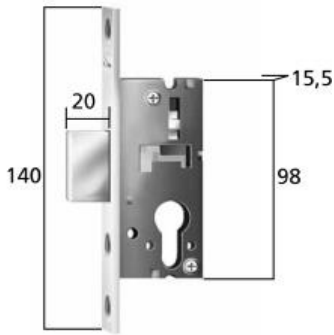
Material: Stainless steel

## GEZE Narrow Stile dead Lock (Old)

Narrow Stile Dead Lock case 35mm backset

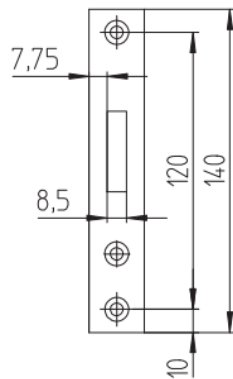
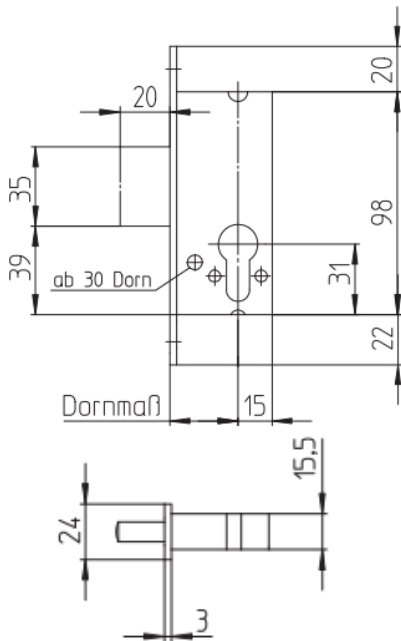
**Art No : 98134003 - for wooden doors**

**Art No : 98134004 - for metal doors**



Features:

Narrow stile Dead lock case for profile cylinder, single throw 20mm dead bolt. Requirement to DIN EN 12209 (Class. 3S500F4BA20), dimensions according to DIN 18251-2, Class 5, for Narrow stile doors, euro profile cylinder, 92 mm center distance, single throw, 20mm dead bolt projection, dead bolt with anti-saw protection, squared forend 24x 3mm.



### Standards and Certification:

Successfully type tested to all the requirements of DIN EN 12209 (Class. 3S500F4BA20).

**Art No: 98162006**



GEZE, Narrow stile escutcheon for euro profile cylinder  
Size: H60 x W34mm

Material: Stainless steel

## GEZE Narrow Stile dead Lock



**Narrow Stile Dead Lock case 35mm backset**

**Art No : 9168485 - for wooden doors**

Features:

SS304 square forend size: 20 x 140 x 3mm thick

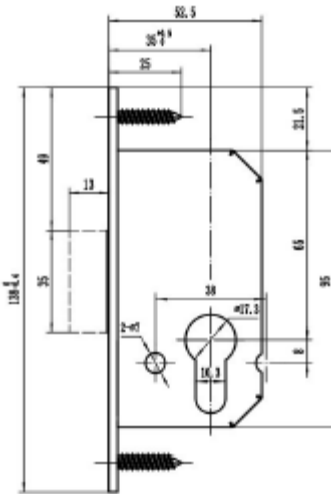
13mm double throw SS304 dead bolt

35mm backset

With strike plate

### Standards and Certification:

Successfully type tested to all the requirements of DIN EN 12209 (Class. 3S500F4BA20).



**Art No: 98162006**

GEZE, Narrow stile escutcheon for euro profile cylinder

Size: H60 x W34mm

Material: Stainless steel

## GEZE Shaft lock



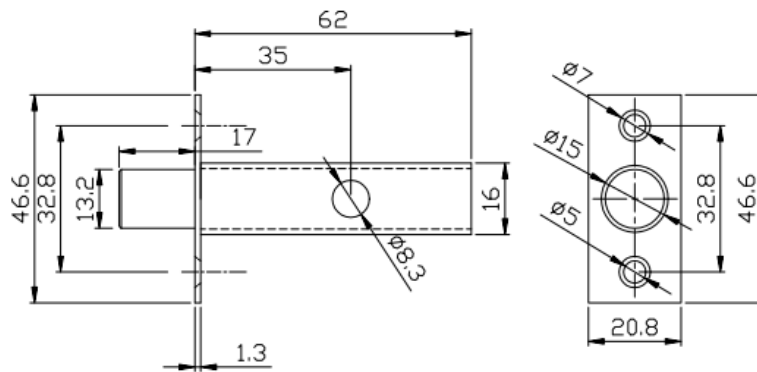
GEZE GP series Shaft door lock

**Art no: 98484047**

GEZE Shaft door Dead lock with forend & strike plate packed with fixing screws.

Material : SS 304

Finish : Satin





## GEZE single Cylinder



Euro profile single Cylinder in 5 pin

**Art No: 98245211**

Features:

Solid Brass body and 45mm Length

Top pin made of solid brass

Supplied 3 keyed

Keys manufactured from brass

Finish : Satin Nickel plated

## GEZE knob Cylinder



Euro profile knob Cylinder in 5 pin

**Art No: 98245242**

Features:

Solid Brass body and 60mm Length

Top pin made of solid brass

Supplied 3 keyed

Keys manufactured from brass

Finish : Satin Nickel plated



**Art No: 98245213**

Features:

Solid Brass body and 70mm Length

Top pin made of solid brass

Supplied 3 keyed

Keys manufactured from brass

Finish : Satin Nickel plated

## GEZE double Cylinder



Euro profile double Cylinder in 5 pin

**Art No: 98245210**

Features:

Solid Brass body and 60mm Length

Top pin made of solid brass

Supplied 3 keyed

Keys manufactured from brass

Finish : Satin Nickel plated



Euro profile double Cylinder in 5 pin

**Art No: 98245212**

Features:

Solid Brass body and 70mm Length

Top pin made of solid brass

Supplied 3 keyed

Keys manufactured from brass

Finish : Satin Nickel plated

## GEZE Glasklar Hinges



**Model : Concept**

**Art No: 98411303**

GEZE Glasklar hinge half round shape with cover in anodized aluminium finish also available in Stainless steel finish.

Max Door weight capacity is 50kg/pair

Door width max 900mm

Glass thickness: 8-10mm thick toughened glass

## GEZE Glasklar Hinges



**Model : Concept**

GEZE Glasklar hinge Rectangular shape with cover in anodized aluminium finish also available in Stainless steel finish.

Max Door weight capacity is 50kg/pair

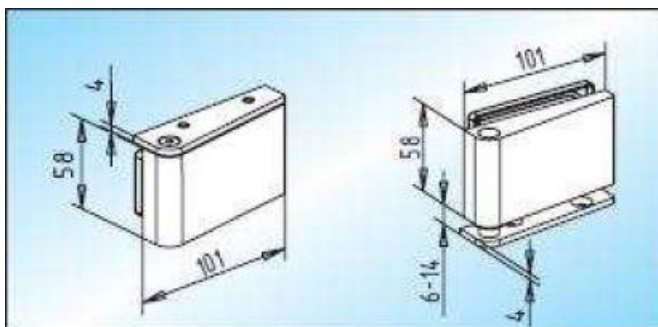
Door width max 900mm

Glass thickness: 8-10mm thick toughened glass

**Art No: 98411305**

## GEZE corner hinge for glass door.

Art No : 98181304



**Corner hinges**  
corner hinges with pivots for bottom and top to screw on,  
max. 80 kg door weight

Corner hinges with pivots for top and bottom to screw on

Max 80kg door weight

For glass thickness 8 -12mm

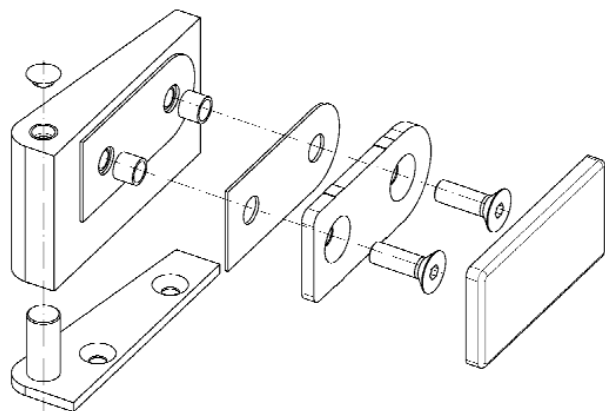
Finish Anodized Aluminium ( AL E4 / C-0)

Pack has a pair of hinge and it can be used up to a glass dimension of 1100mm x 2500mm with door closer .

It can also be used up to a glass dimension of 1100mm x 2700mm without door closer .

Includes Stainless steel screws and accessories.

## Exploded view



## GEZE Glasklar lever handle with accessories



**Art No: 98412302 – Anodized aluminium finish**  
GEZE Glasklar 'U' Type solid lever handle, 20mm Diameter without round rose & with 8 x 90mm steel square spindle.



**Art No: 98412301 – Anodized aluminium finish**  
GEZE Glasklar 'L' Type solid lever handle, 20mm Diameter without round rose & with 8 x 90mm steel square spindle.



**Art No : 98414303**  
GEZE strike plate with flap, finish: anodized aluminium.



**Art No: 98413302**

Features:  
3 pins both side key 42.8mm length 20.8mm+12mm  
Finish:SNP

## GEZE Glasklar Lock



**Model : Concept Art**

**Art No:- 98414301**

GEZE Glasklar lock in attractive curved shape with cover in anodized aluminium finish. Non Handed

Finish Glass thickness: 8 -10mm thick toughened glass.

Also available in Satin stainless finish



**Model : Concept Modern**

**Art No:- 98414302**

GEZE Glasklar lock in finely finished round design with cover in anodized aluminium. Glass thickness: 8 -10mm thick toughened glass. Non Handed

Also available in Satin stainless finish

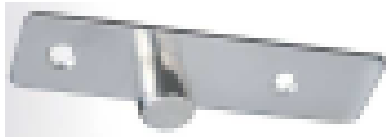
### **Standards and Certification :-**

According – DIN 18251-1: 2002-07

Tested with handle -200000 cycles

Tested with Euro profile cylinder -50,000 operations.

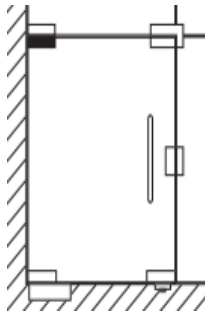
## GEZE Top Pivot



### PT 24:-

- Made of Stainless Steel Grade safe and durable.
- With Fixed pivot to Suit Top rail.
- Finish : Satin Stainless Steel Plate Thickness 3mm

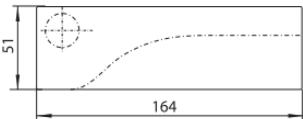
## GEZE top patch



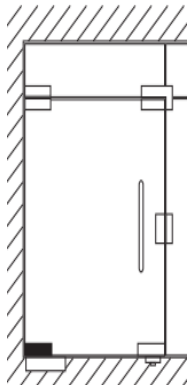
### PT 20 Top Patch

PT 20 Top patch connection to PT 24 with satin SS cover

Finish:- Satin Stainless Steel



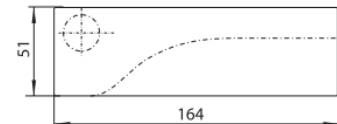
## GEZE bottom patch



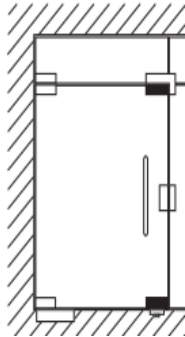
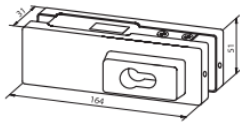
### PT10 Bottom Patch.

PT 10 Bottom patch connection to floor spring with satin SS cover

Finish:- Satin Stainless Steel



## GEZE lock patch



### PL 50 Corner Lock Patch.

PL 50 patch lock without cylinder, with flat bolt with satin SS cover

Finish:- Satin Stainless Steel



### GEZE Cylinder.

PC Profile Cylinders, L=60mm, 3 Keys

Finish:- Polished Chrome

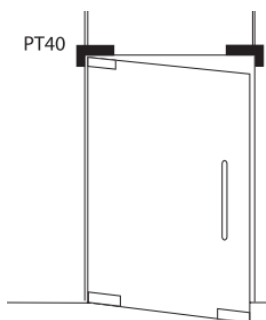


### GEZE strike plate.

Look keeper plate



## GEZE patch fittings for glass 10 / 12mm thick



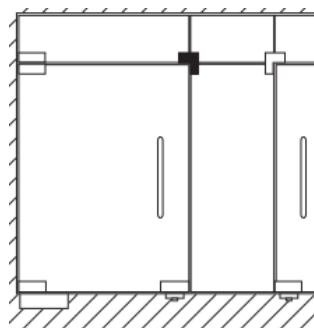
### GEZE PT 40 Patch.

**Art. No:- 111462**

Patch for fanlight and side panel

- top pivot with connection to the fanlight and lateral fixed panel

Finish:- SSS



### GEZE PT 63 patch

**Art. No:- 310055**

Oval panel/side panel connection patch

Finish:- SSS



### GEZE PT 90 patch

**Art. No:- 310060**

Connection of one panel to wall or ceiling/floor .

Finish:- SSS



### GEZE PT 84 patch

**Art. No:- 310059**

Connection of two panels for wall or ceiling/floor.

Finish:- SSS

## GEZE Male sign plate



**Art no: 98487032**

GEZE Male sign plate of round shape, size dia 76mm.

## GEZE Female sign plate



**Art no: 98487032**

GEZE Female sign plate of round shape, size dia 76mm.

## GEZE Disable sign plate



**Art no: 98487034**

GEZE disable sign plate of round shape, size dia 76mm

## GEZE grab bar



**Art no: 98163011**

GEZE, Dia 25mm x 610mm grab bar in SS304 material with fixing accessories on the wall.



**Art No : 98167036**

GEZE, Dia 25mm x 300mm grab bar in SS304 material with fixing accessroies on the wall.

## GEZE flush bolt



GEZE GP series Flush bolt

**Art no: 98487001**

GEZE GP series stainless steel 304 punching flush bolt for wooden doors

Size : 250x25mm

Finish : Satin.

## GEZE flush bolt



GEZE GP series Flush bolt

**Art no: 98487002**

Lever action flush bolt 12" for steel door

Material: Stainless Steel 304

Finish : satin. Finish : Satin.

## GEZE dust proof socket



**Art No: 98487007**

Dust proof socket

Finish: Satin stainless steel

## GEZE door stopper



GEZE GP series Door stopper

**Art no: 98487003**

GEZE half moon door stop size Ø44 x 25(H)mm.

Material : Stainless steel 304,

Finish : Satin

## GEZE door catch



**Art No : 8487302**

GEZE Magnetic Door Holder,  
Material : Zinc Alloy.  
Finish : satin nickel

## GEZE Door stopper



**Art no: 98487308**

GEZE, GP series Brass Door stopper. Finish - SNP

## GEZE door viewer



GEZE GP series Eye Viewer

**Art no: 98487304**

GEZE brass door viewer in Ø16mm, for door thickness of 35-60mm with cover, 180 degree angle.

Finish : satin nickeled

## GEZE Concealed Door Chain



**Art no: 98487046**

GEZE GP Zinc Alloy Concealed Door Chain,  
51x44x30mm, satin nickeled finish, with SS#304 chain

## GEZE door chain



**Art no: 98487014**

GEZE GP series surface mounted door chain size 124x63x22mm, with SS chain in length of 210mm.

Material - stainless steel 304.

Satin finish

## GEZE wall stop with coat hook



**Art no : 98157003**

GEZE Wall Door Stopper with coat hook

## GEZE tower bolt



**Art no : 8347018**

GEZE Stainless steel Tower bolt for wooden doors length : 300mm (12") material:- SS 304

Finish: Satin stainless finish

## GEZE door guard



**Art no : 98487301**

GEZE door guard, Zinc Alloy. Finish - Satin Nickel

## Push bar with Panic latch

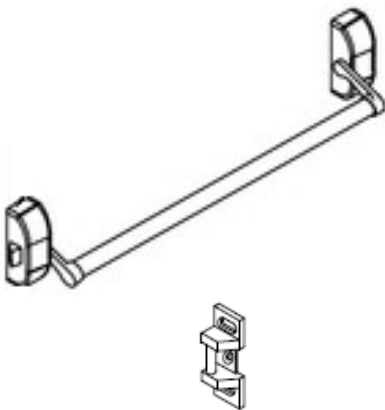
**GEZE GP Series, Push bar with reversible panic latch includes strike plate and accessories.**

**Art No : 98536301**

**: 98536303 (Metal Door)**

### **Features:**

- > Single point latch lock
- > Non-handed design
- > Single Leaf
- > Suitable for wood and metal doors
- > Security Anti-thrust latch
- > Maximum door width = 1220mm
- > Maximum door weight = 200kg
- > Finish = Silver

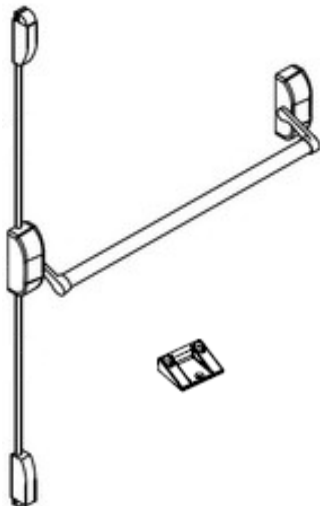


## Push bar with vertical Pullman latch

**GEZE GP Series, Push bar with vertical Pullman latch includes strike plate and accessories**

**Art No : 98536304**

**: 98536306 (Metal Door)**



### **Features:**

- > Double point (top & bottom) latch lock
- > Non-handed design
- > Single Leaf / Double Leaf
- > Suitable for wood and metal doors
- > Maximum door width = 1220mm
- > Maximum door height = 2440mm
- > Height can be Extended= 3200mm (Optional)
- > Maximum door weight = 200kg
- > Finish = Silver

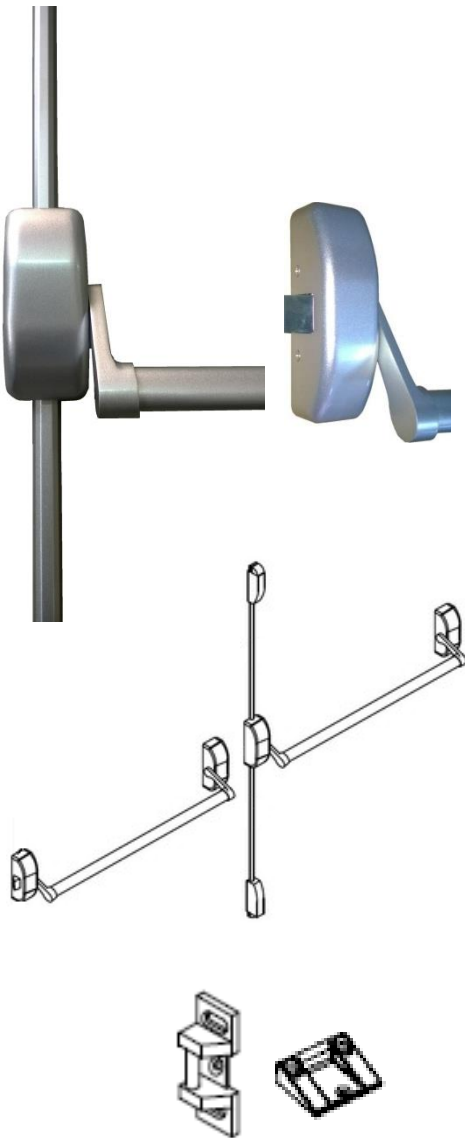
## Push bar with Panic latch & vertical Pullman latch

GEZE GP Series,, crossbar with reversible panic latch includes single point panic device (8536301), double point panic device (8536309), strike plate and accessories for double leaf rebated door

Art No : 98536310

### Features:

- Single point latch lock
- Double point (top & bottom) latch lock
- Non-handed design
- Double Leaf
- Suitable for wood doors
- Security Anti-thrust latch
- Maximum door width = 1220mm
- Maximum door height = 2440mm
- Maximum door weight = 200kg
- Finish = Silver





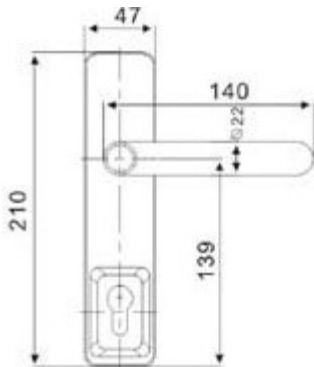
## Lever operated external Locking Device

**GEZE GP Series, Lever operated external locking device c/w Euro profile cylinder, include accessories**

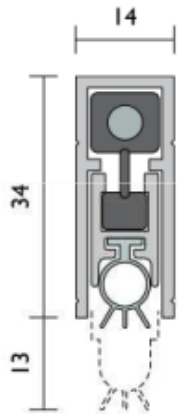
**Art No : 98536302**

### Features:

- > Non-handed design
- > Max door thickness up to 50mm
- > Suitable for wood and metal doors
- > Include three Keys
- > Finish = Silver



## GEZE Raven mortise Automatic door bottom seal for Wooden doors



### Model - Raven RP8 Si

#### **Raven RP8Si Drop down seal for wooden doors**

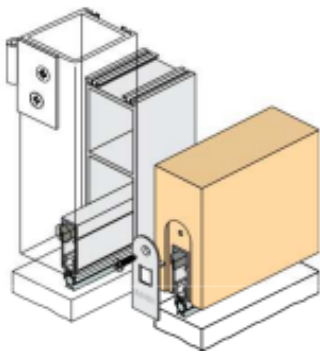
Art No : 98427309, Length 920mm

Art No : 98427312, Length 1070mm

Art No : 98427313, Length 1220mm

Concealed, acoustic automatic bottom silicon seal for medium temperature smoke and fire door applications

It is spring loaded to lift clear off the floor as soon as the door leaf is opened by a few millimeters. Mounted into a 15mmx34mm that has been mortised into the bottom edge of the door, it is operated automatically by pressure against the door jamb on its adjustable strike block. It can also be fitted into the bottom hollow rail of an aluminum door by the fabricator.



Finish - Aluminum anodized.

Seal - Silicon Rubber material - Gray color

Approvals smoke and fire doors

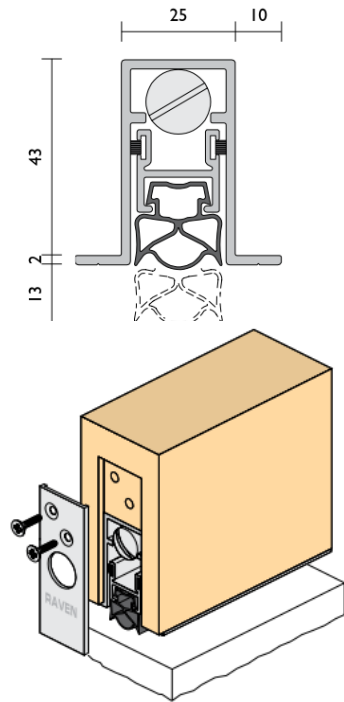
Approved to BS EN ISO 140.3 (similar to BS EN ISO717.1, BS 2750 & BS 5821)

Approved to BS 476 Pt.20 & 22

(Similar to BS EN 1634-1)

Fire rated for 240 min for wooden doors

## GEZE Automatic drop down Seals



### Raven RP70Si Drop down seal for metal doors

Art No : 98427301, Length 920mm

Art No : 98427302, Length 1070mm

Art No : 98427303, Length 1220mm

GEZE Mortise automatic door bottom seal is a heavy duty door bottom seal which is spring loaded to lift clear off the floor as soon as the door leaf is opened by few millimeters. To use GEZE Drop down seal door must be 45mm and suitable construction for mortising this seal. Seals can be shorten to exact door size.

It is reversible for left and right handed operation.

Lift height 13mm

Standard Finish – Aluminum anodised

Seal - Silicon Rubber material – Gray color

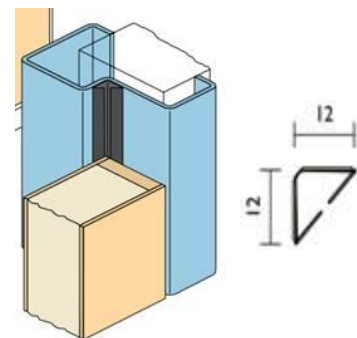
Approvals smoke and fire doors–

Approved to BS 476 Pt.20 & 22

(Similar to BS EN 1634-1)

Fire rated for 240 min for Metal doors

## GEZE frame Seals



### Raven RP120 Frame Seals

Art No : 98427304, Length 6.5 mtrs

GEZE Delta Self adhesive seal is a co-extruded PVC, acoustic and smoke seal. Discreetly in the protected corners of rebated timber or steel door frames. Min/max Gap 3mm to 5.5mm

Seal Material rigid and flexible flame retardant PVC with an aggressive self adhesive backing tape on side of the rigid carrier (Brown color).

Approvals smoke and fire doors–

Approved to BS EN ISO 140.3,(Similar to BS EN ISO 717.1, BS 2750, BS5821)

Approved on fire rated doors up to 240 min

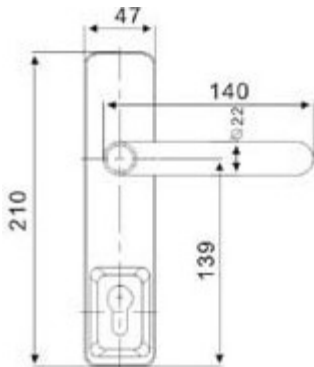
## Lever operated external Locking Device

**GEZE GP Series, Lever operated external locking device c/w Euro profile cylinder, include accessories**

**Art No : 98536302**

### Features:

- > Non-handed design
- > Max door thickness up to 50mm
- > Suitable for wood and metal doors
- > Include three Keys
- > Finish = Silver



MANY THANK'S FOR YOUR ATTENTION



GEZE INDIA. BEWEGUNG MIT SYSTEM